

UR-W1006C



The mightiest Mini Crawler Cranes in the world, UR-W1006C boasts an unrivalled 10.14t lifting capacity.

UR-W1006C offers a generous 30.7m lifting height and 24.3m working radius, yet at only 2000mm wide still retains class-beating minimal dimensions for working in restricted areas. UR-W1006C also has a Pick & Carry function which enables it to travel with loads up to 1500kg. The full interlocking system and configurable outriggers ensures maximum stability on uneven ground surfaces.

Max
22.8m
30.7m (with Fly jib assembly)
Hook height (Approx.)
(Above ground level)



Max
10.14t
×3.0m
Lifting capacity

Max
21.93m
24.3m (with Fly jib assembly)
Working radius

13800kg
Mass of crane

Radio
remote
control

NOTE: This transmitter is subject to alteration in some countries.
For more information, contact your local UNIC distributor.

SPECIFICATIONS

Crane model	UR-W1006C2
Lifting capacity	Max. 10.14t at 3.0m : with Fly jib assembly Max. 1.05t at 9.7m (boom angle 70° and jib tilt angle 0°)
Working radius	Min. 0.04m, Max. 21.93m : with Fly jib assembly Max. 24.30m
Hook height (Approx.)	Above ground level Max. 22.8m : with Fly jib assembly Max. 30.7m Below ground level Max. 30.0m with 4-part line : with Fly jib assembly Max. 123.0m with 1-part line
Boom	Length Min. 5.75m to Max. 23.10m
	Extending speed [with electric power unit] 17.35m / 88.0 sec. [50Hz] 17.35m / 123.0 sec. [60Hz] 17.35m / 103.0 sec.
	Raising angle / speed [with electric power unit] 0° to 80° / 44.0 sec. [50Hz] 0° to 80° / 80.0 sec. [60Hz] 0° to 80° / 67.0 sec.
	Structure 6-section box beam type telescoping boom
Winch	Single line speed [with electric power unit] 40.0 m/min (at 4th layer) [50Hz] 20.8 m/min (at 4th layer) [60Hz] 24.8 m/min (at 4th layer)
	Hook speed [with electric power unit] 10.0 m/min (at 4th layer with 4-part line) [50Hz] 5.2 m/min (at 4th layer with 4-part line) [60Hz] 6.2 m/min (at 4th layer with 4-part line)
	Structure Hydraulic motor driven, planetary gear reduction, with automatic mechanical brake and counterbalance valve and wire rope retaining roller
	Wire rope Construction : XP IWRC 6 x WS(31) / Diameter x Length : 13mm x 140.0m / Breaking strength : 131.0kN [13400 kgf]
Slewing	Hook block 10.00t capacity, 3 sheaves with safety latch
	Range 360° continuous rotation on a ball bearing race
	Speed [with electric power unit] 1.3 rpm [50Hz] 1.2 rpm [60Hz] 1.2 rpm
Outriggers	Structure Hydraulic motor driven, worm gear reduction, spur gear reduction, and worm self-locking brake (supported by ball bearings)
	Horizontal, Vertical / Position A double acting hydraulic cylinder, direct pushing type (Directly connected with hydraulic automatic lock device) / A double acting hydraulic cylinder with link system
Hydraulic pump	Type Variable delivery piston pump
	Rated pressure 27.5 MPa [280 kgf/cm ²]
	Rated delivery 105 liters/min
	Rated revolution 2500 rpm
Hydraulic oil tank capacity	215 liters
Safety devices	Pressure relief valve for hydraulic circuit / Counterbalance valves for boom raising and boom telescoping cylinders / Pilot-operated check valves for outrigger cylinders (Horizontal) / Double pilot-operated check valves for outrigger cylinders (Vertical) / Boom angle indicator with load indicator / Hook safety latch / Automatic mechanical brake for winch / Automatic stop for overwinding / Overwinding alarm / Automatic stop for leaving minimum wire rope / Emergency stop button / Inter-lock device of crane and crawling levers / Inter-lock device of crane and outriggers / Level / Safe load indicator / Three colored lamp / Headlight / Boom outrigger monitor lamp

Safe load indicator



Fly jib assembly



Length	4.73m ~ 7.87m
Lifting capacity	Max. 1050kg
Tilt angles	0°, 20°, 40°, 60°

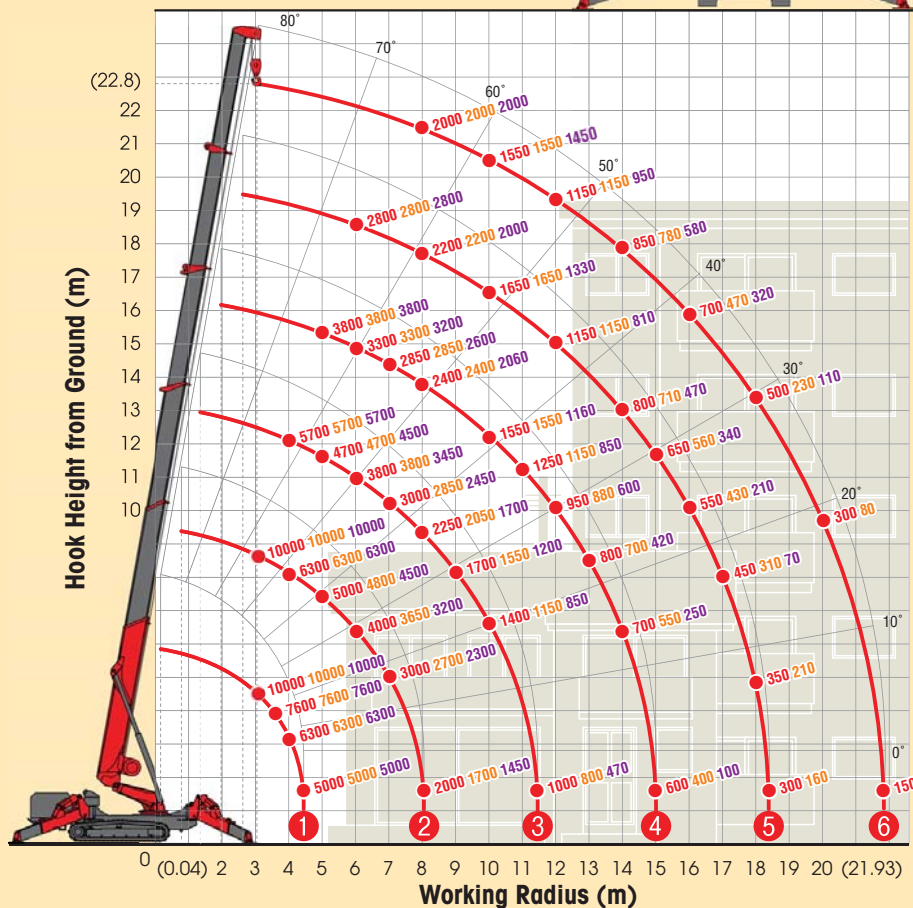
Pick & Carry



Lifting capacity	1500kg
Working radius	2.5m
Boom length	Boom 1 and 1+2 only

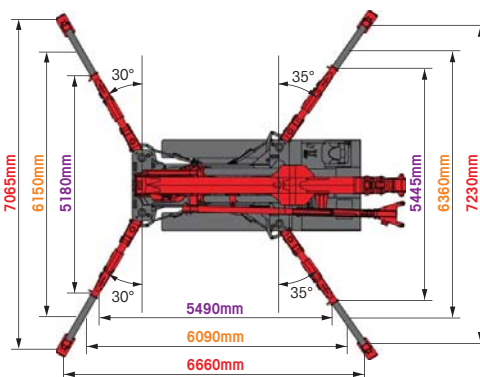
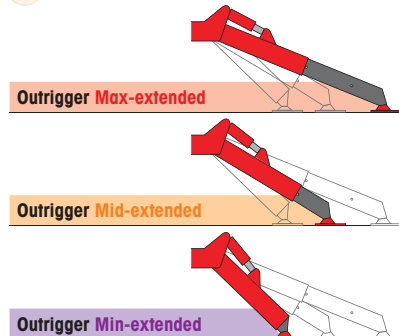
WORKING RANGE & NET RATED LOADS (kg)

Outrigger ● Max-extended ● Mid-extended ● Min-extended

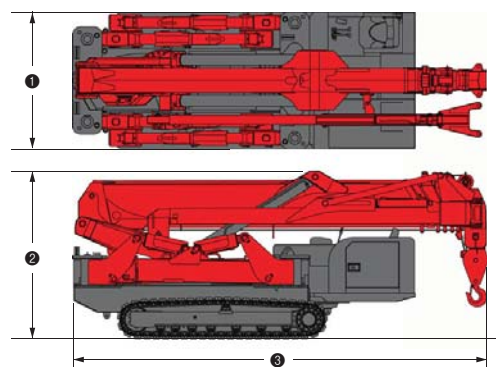


Hook Height below Ground level 30.0m

OUTRIGGER POSITIONS



DIMENSIONS



CRAWLING GEAR

Crane model	UR-W1006C2
Crawling speed	0~2.6 km/h, forward / backward
[with electric power unit]	[50Hz] 0~1.3 km/h [60Hz] 0~1.5 km/h
Hill climbing ability	23°
Tread length	2515mm
Ground contact pressure	67.3 kPa [0.69 kg/cm ²]
[with electric power unit]	68.2 kPa [0.70 kg/cm ²]
Engine manufacturer / model	Yanmar / 4TNV88
Displacement	2189cc
Maximum output	29.80kW(40.5PS) / 2500 rpm, Continuous rated output
Fuel	Diesel
Fuel tank capacity	75 liters
Steering	Hydraulic drive independent of left / right
Starter	Starter motor

Crane model	UR-W1006C2
① Total width	2000mm
② Total height	2460mm
③ Total length	6060mm
Mass of crane	13800kg [14000kg]

[with electric power unit]

Electric power unit specifications

Rated power	11.0kW (3-phase 4 poles)
Voltage	AC 400/400-440V (50Hz / 60Hz) 3 phase 4P

*Not included any cables.